

WaveCall™

THE WAVECALL 3000

WaveCall 3000

Mini Antenna for Voice & Data

The new WaveCall™ Model 3000 antenna solves the deck space problem by using a minimal amount of room. The omnidirectional antenna is housed in a compact 10" mini-dome. Service is available throughout Globalstar's coverage area. Features include:

- Voice and data capability
- Unsurpassed voice quality and reliability
- Internet speeds from 9.6 kbps up to 56 kbps* within the Globalstar coverage area
- Optional below decks unit continuously provides a read out of key satellite tracking data including signal strength, gateway in use, roaming and registration data
- No ISP is needed to access the Internet
- Sea Tel® service support and reliability



Sea Tel®
Look to the Leader. Look to Sea Tel.

*Higher kbps rates require SatSpeed, WaveCall's unique Internet compression software, which can boost upload and download rates by up to 500%. SatSpeed service sold separately. Must also have basic WaveCall airtime plan.

WaveCall™

THE WAVECALL 3000



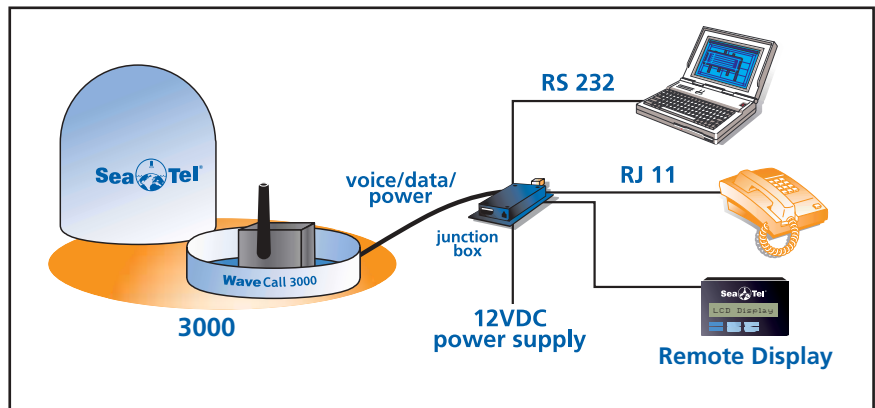
System Specifications

Specifications for the 3000

Electrical Requirement, RAU	12 - 16 VDC @ 2.5 A max
Data Rate	9.6 kBaud
Operating Frequency Range	RAU to Satellite: 1610 to 1625 MHz Satellite to RAU: 2484 to 2499 MHz
Height	10 in
Width	10 in

System Components for 3000

- Junction Box – below decks interface for RAU with RJ11 phone jack and serial data port
- 50 foot voice/data/power cable from RAU to Junction Box, longer lengths optional
- Optional 50 foot serial port connector from Junction Box to computer



WaveCall™

by

